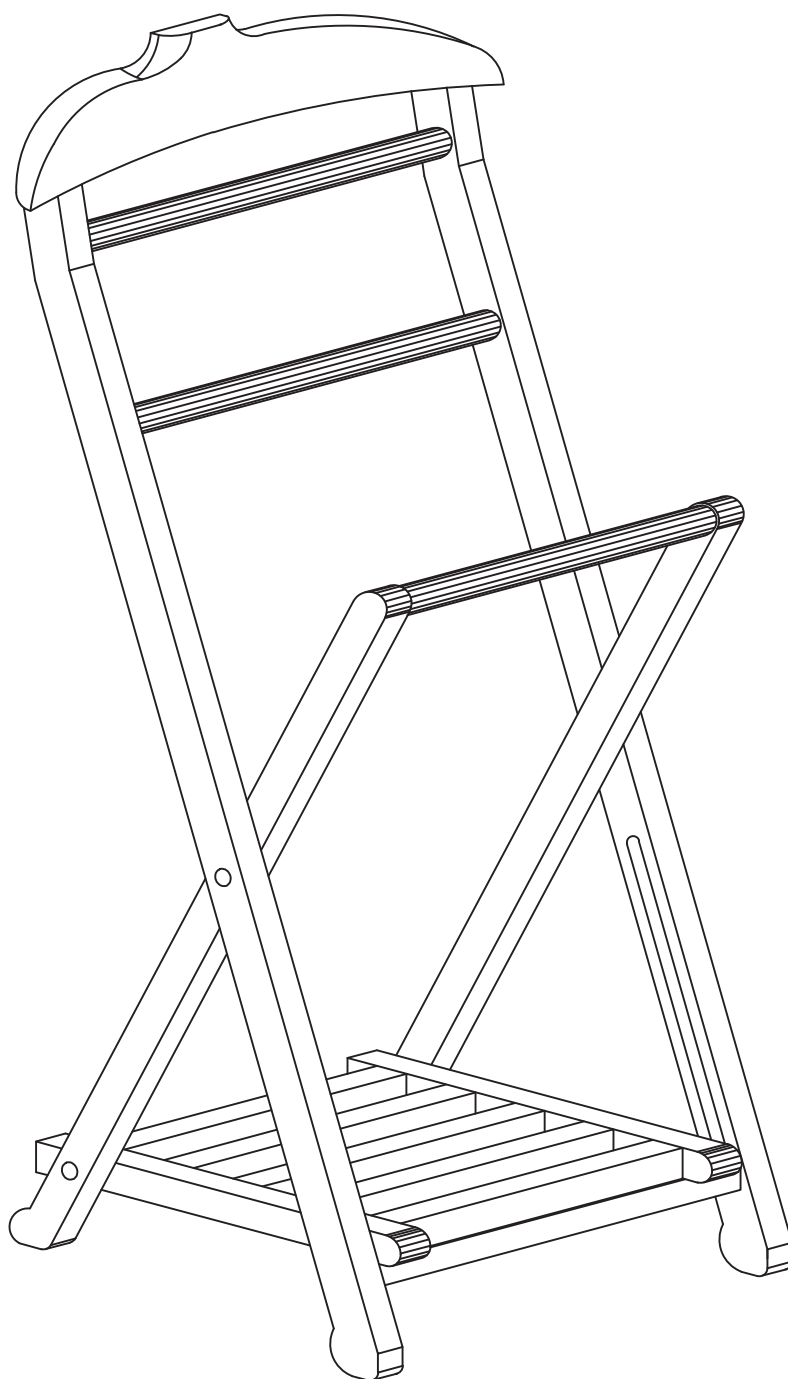


# BANAK

# MANUA

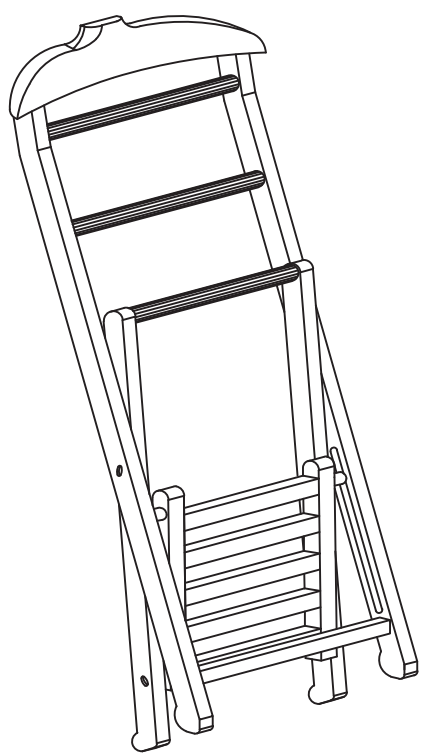
UX-0103BC-2

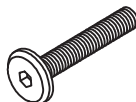




# BANAK

# MANUA

UX-0103BC-2



<b>1</b>  x2 M6x40	<b>2</b>  x1 Ø4	<b>3</b>  x4 Ø17
--	---	--

