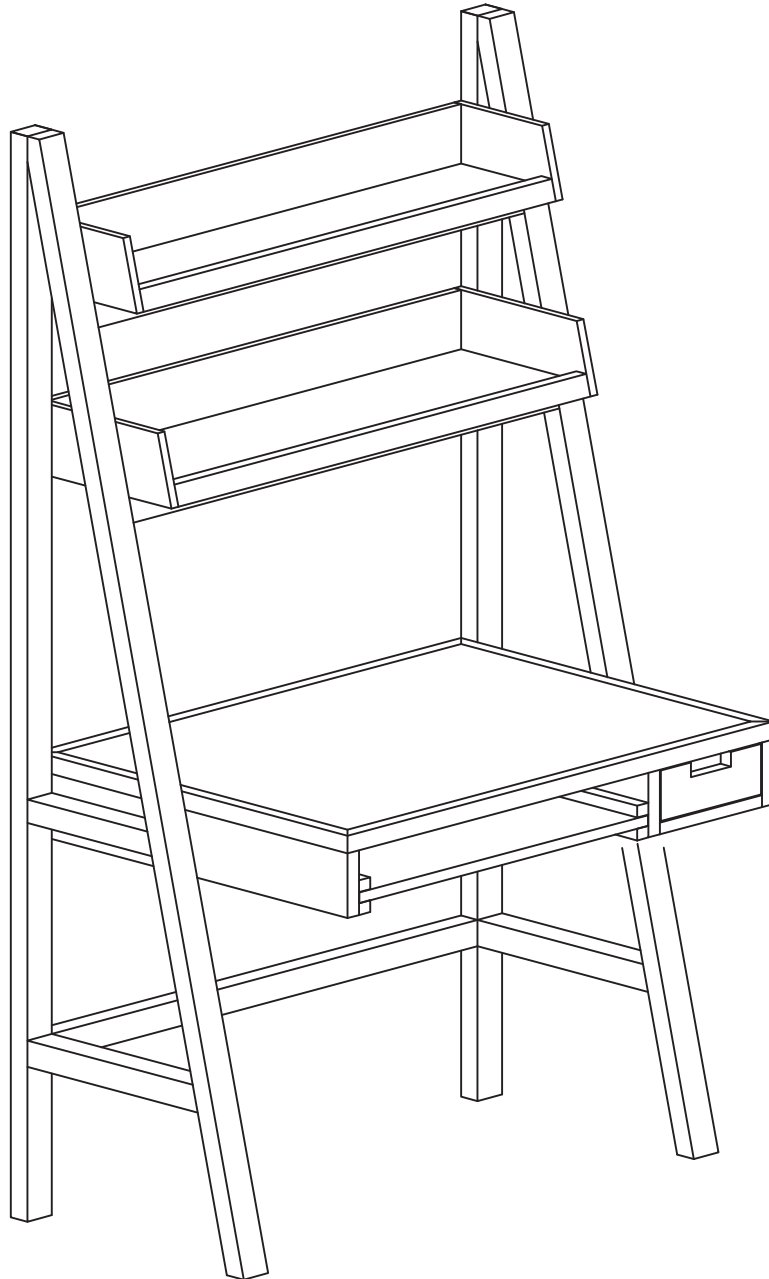


BANAK

BASSAY

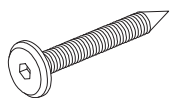
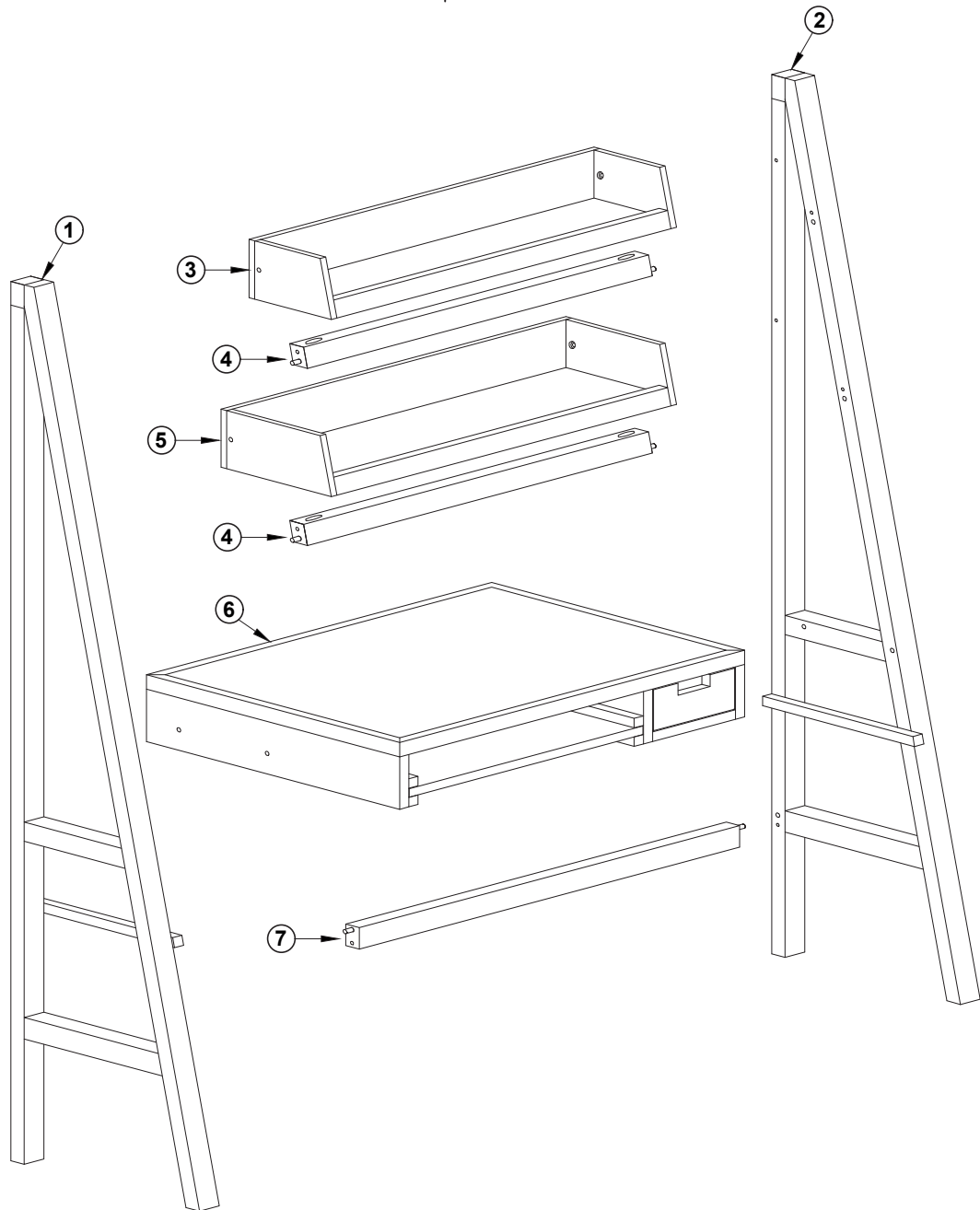
UX-0107



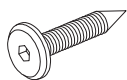
BANAK

BASSAY

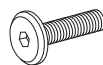
UX-0107



A = 6
M6x40



B = 4
M6x30



C = 4
M6x30



D = 4
dia4



E = 4
Ø17

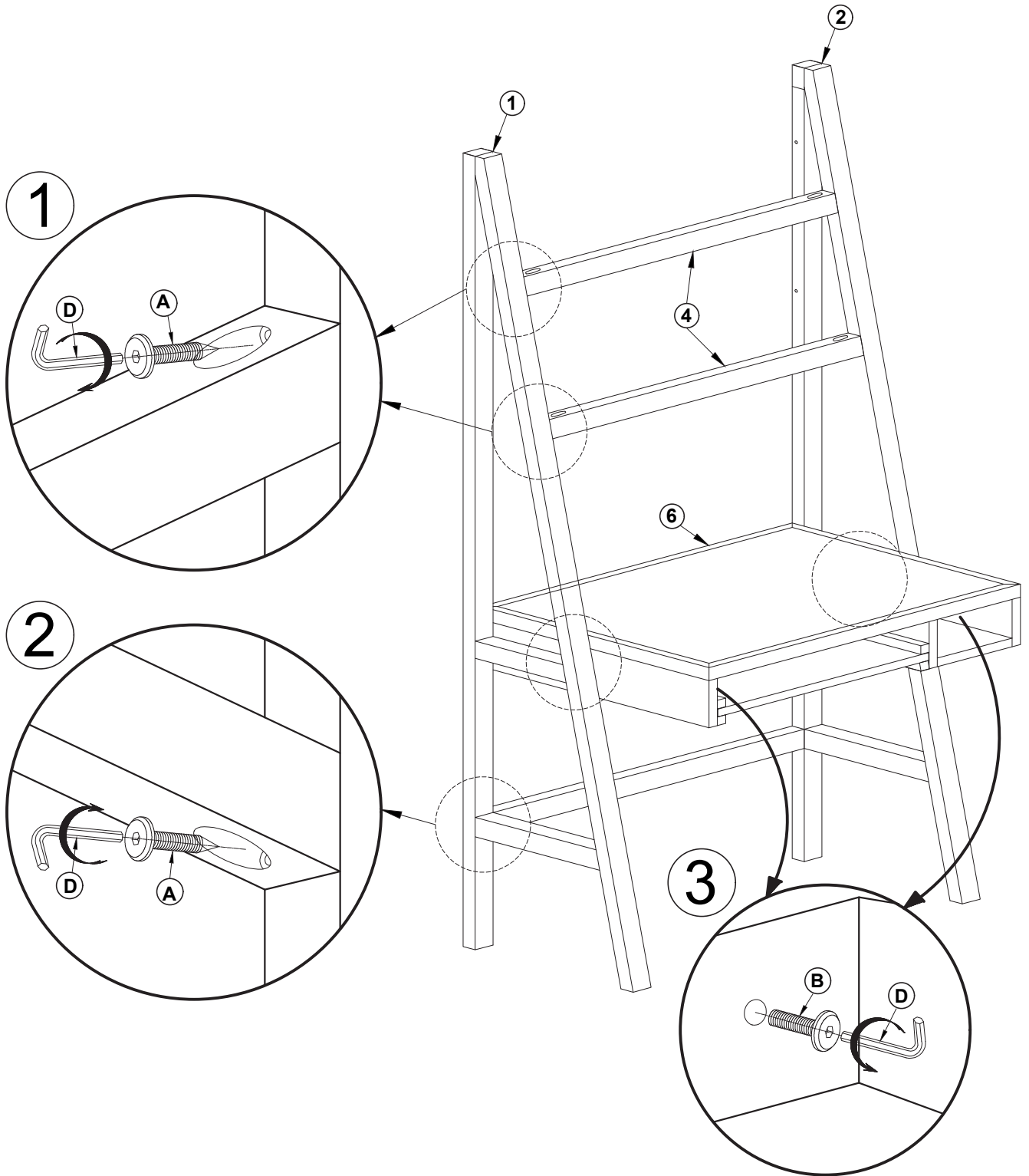


F = 2
M6

BANAK

BASSAY

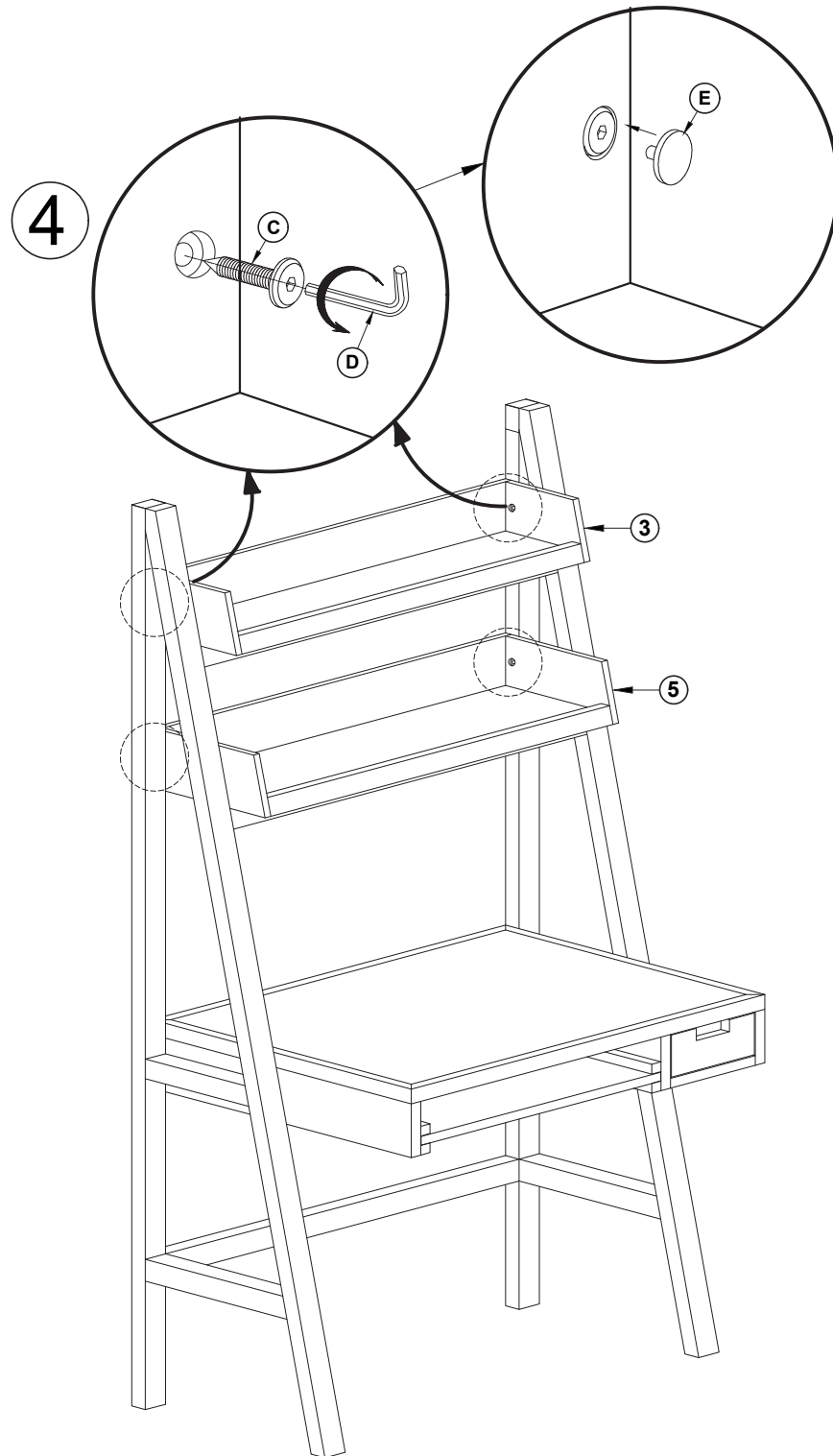
UX-0107



BANAK

BASSAY

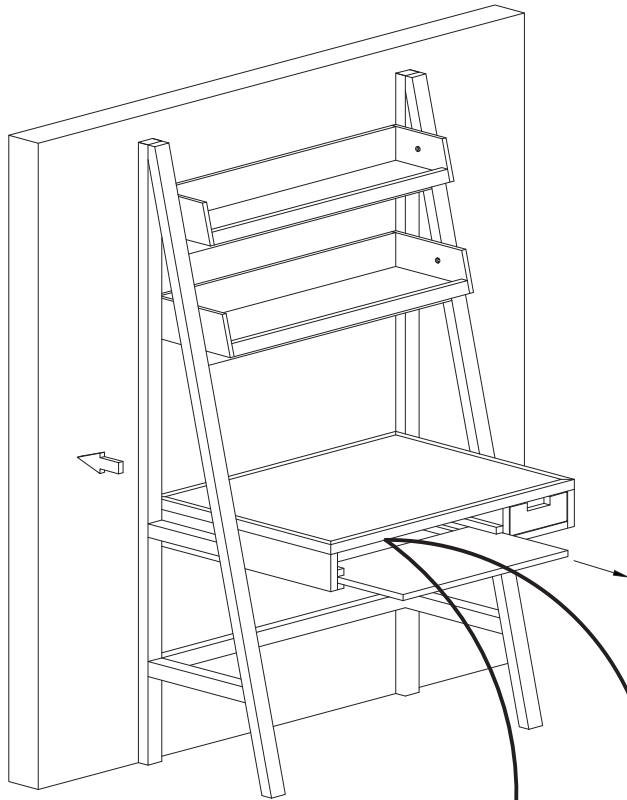
UX-0107



BANAK

BASSAY

UX-0107



5

