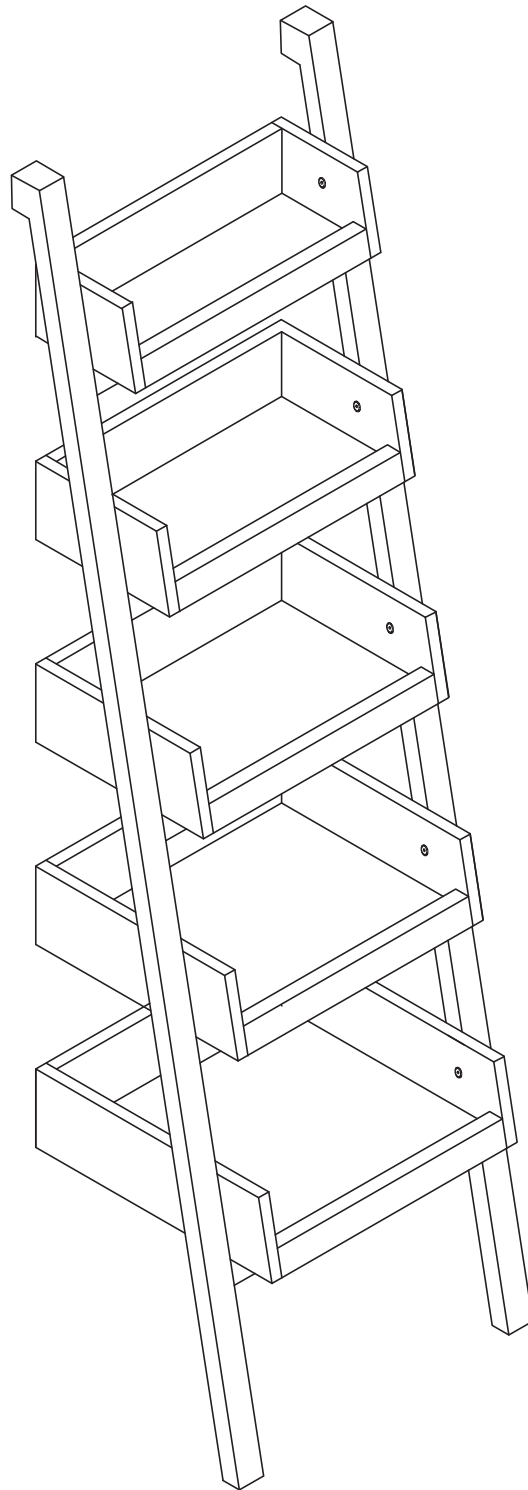


# BANAK

# BASSAY

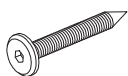
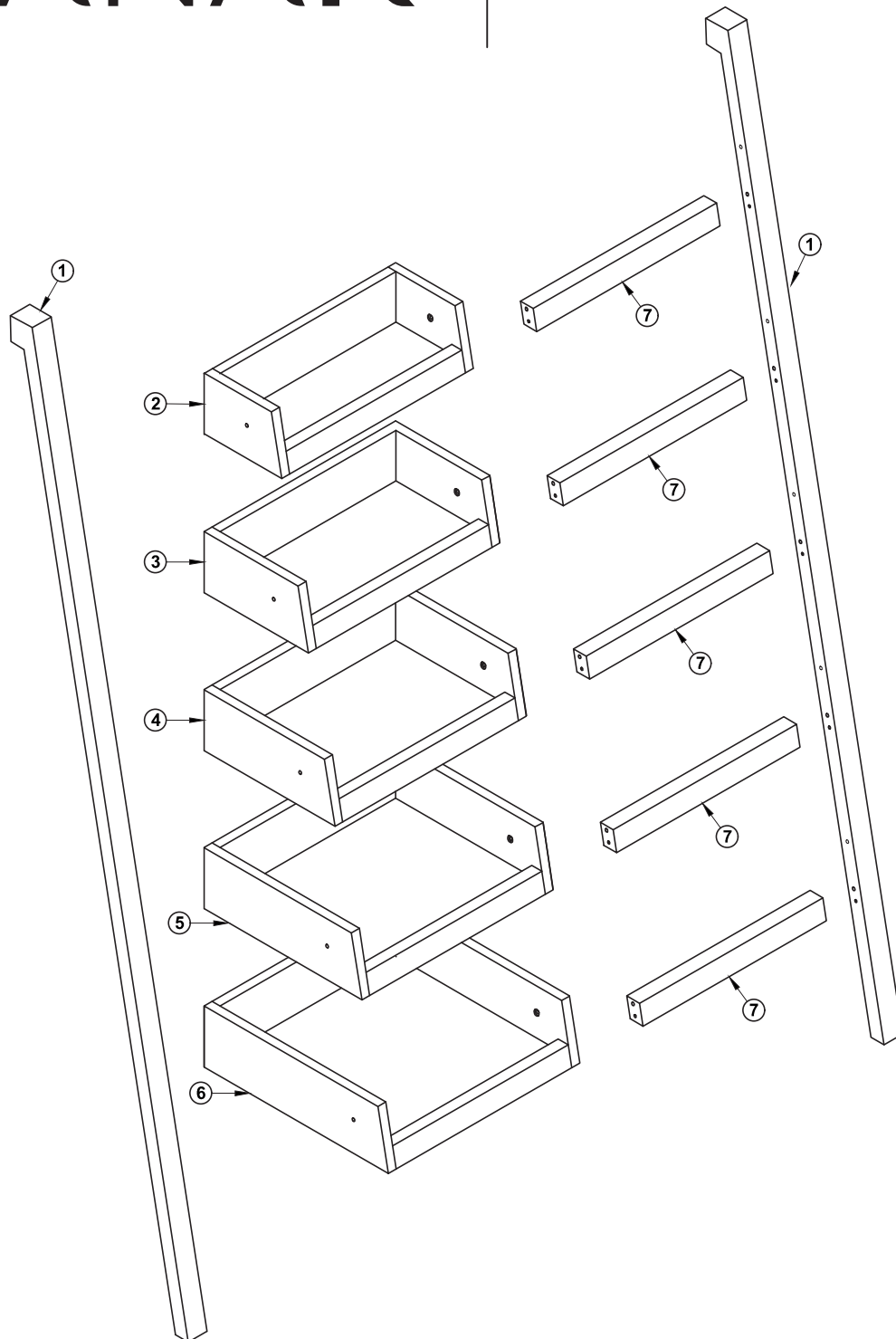
UX-0108



# BANAK

# BASSAY

UX-0108



A = 10  
M6x40



B = 10  
M6x30



C = 1  
dia 4



D = 10  
dia 17



D = 2



E = 4

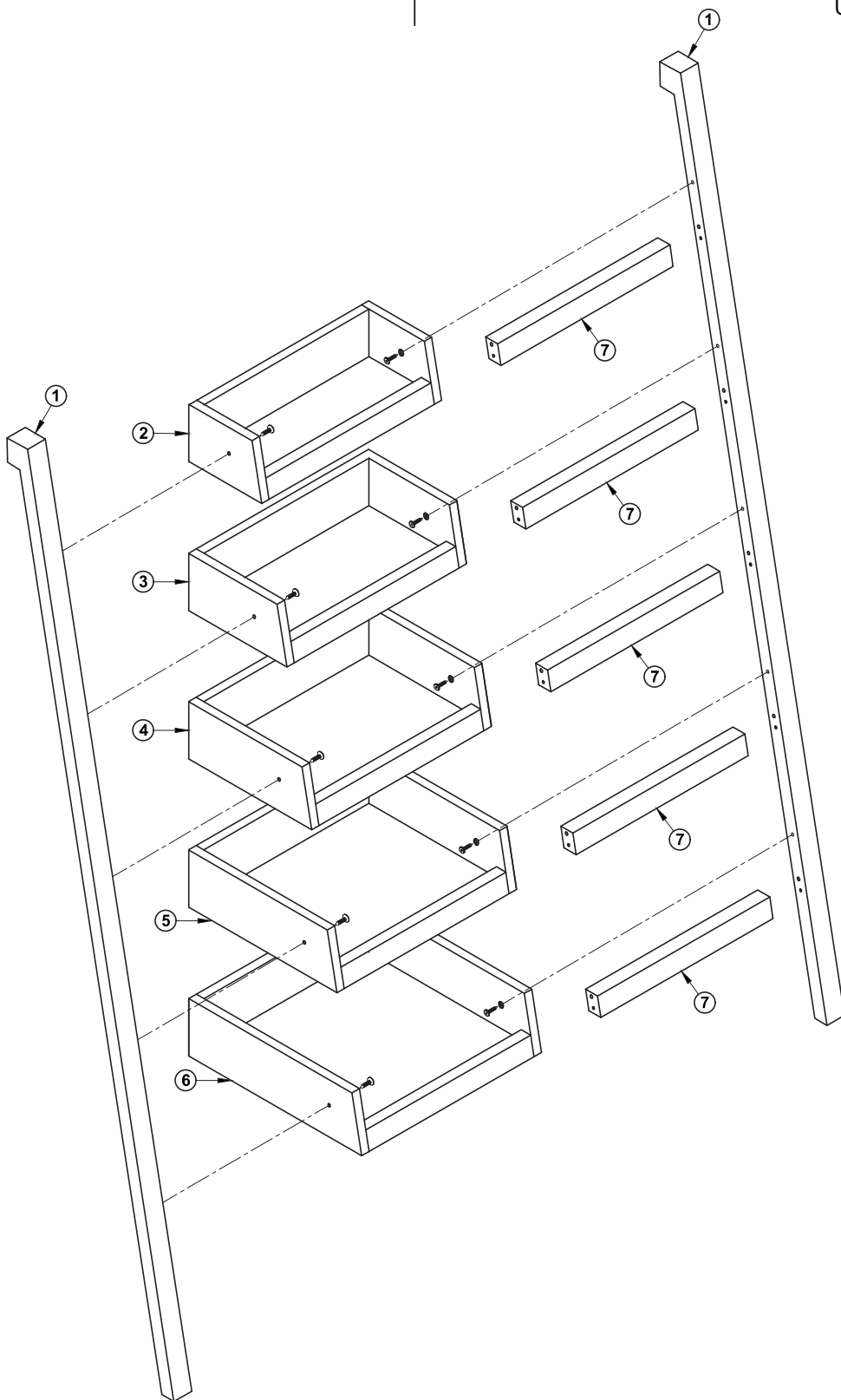


F = 2

# BANAK

# BASSAY

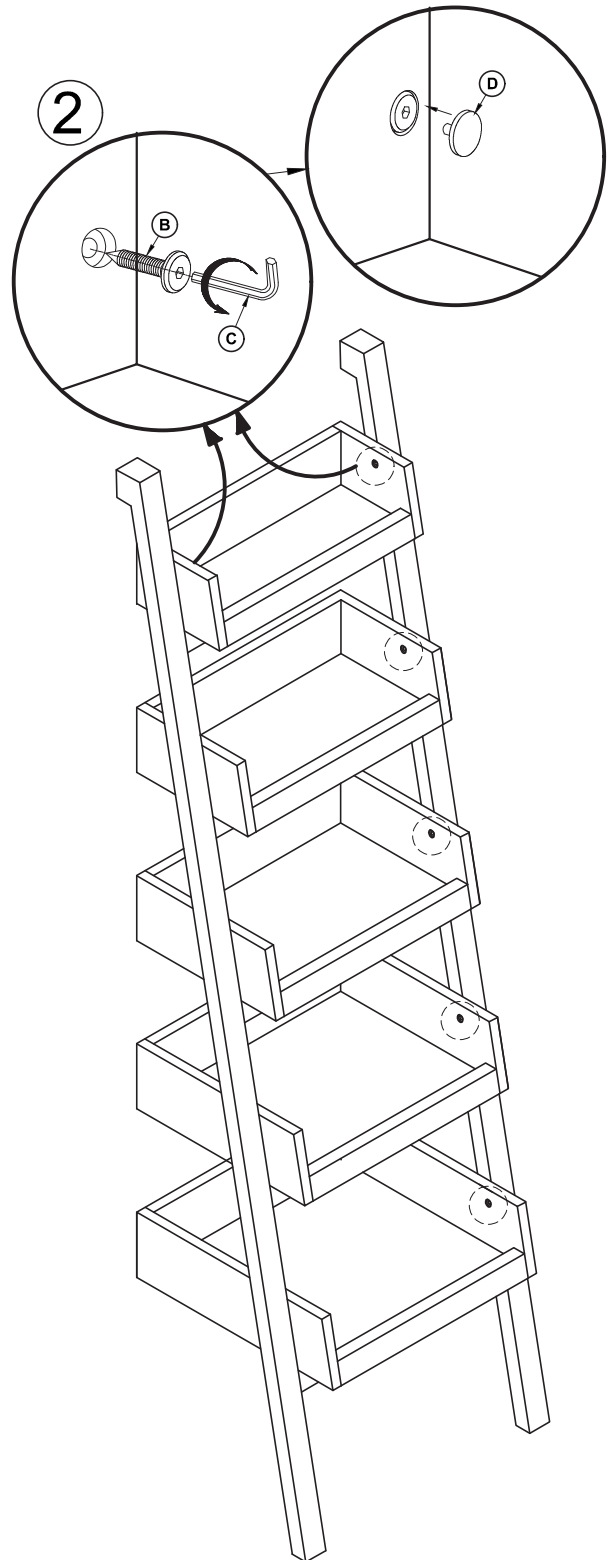
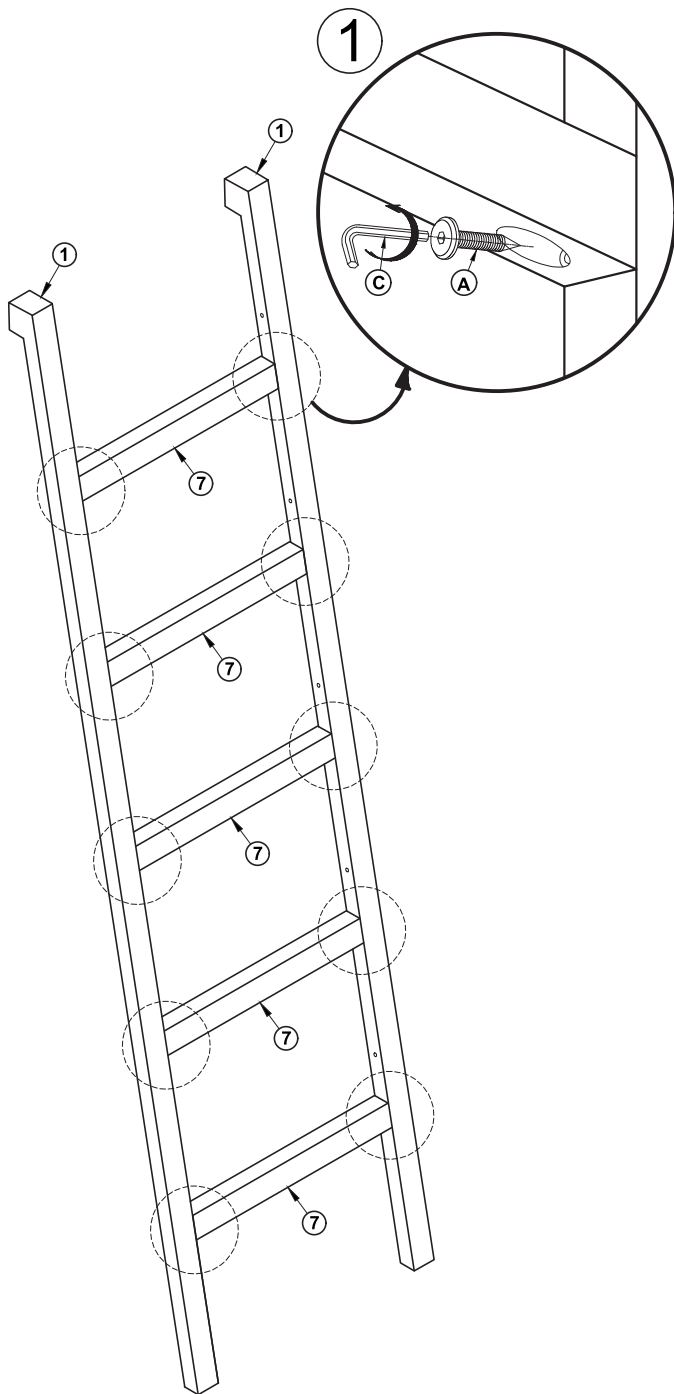
UX-0108



# BANAK

# BASSAY

UX-0108



# BANAK

# BASSAY

UX-0108

