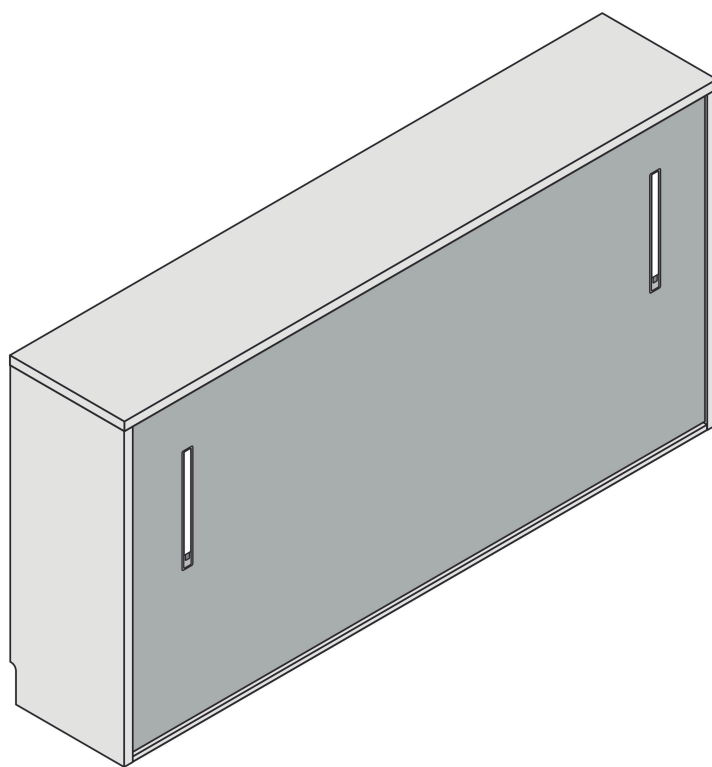



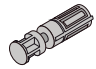
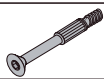
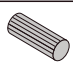

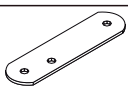
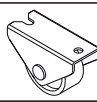


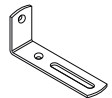
BANAK

HANSEL

XJ-0400






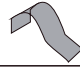


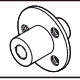
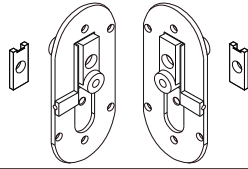
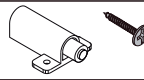

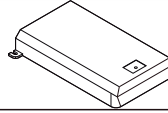




BANAK

E		16
P		8
Q		8
F		20
D		8
K		2
R		1
S		10
Ñ		2
M		2

HANSEL

XJ-0400

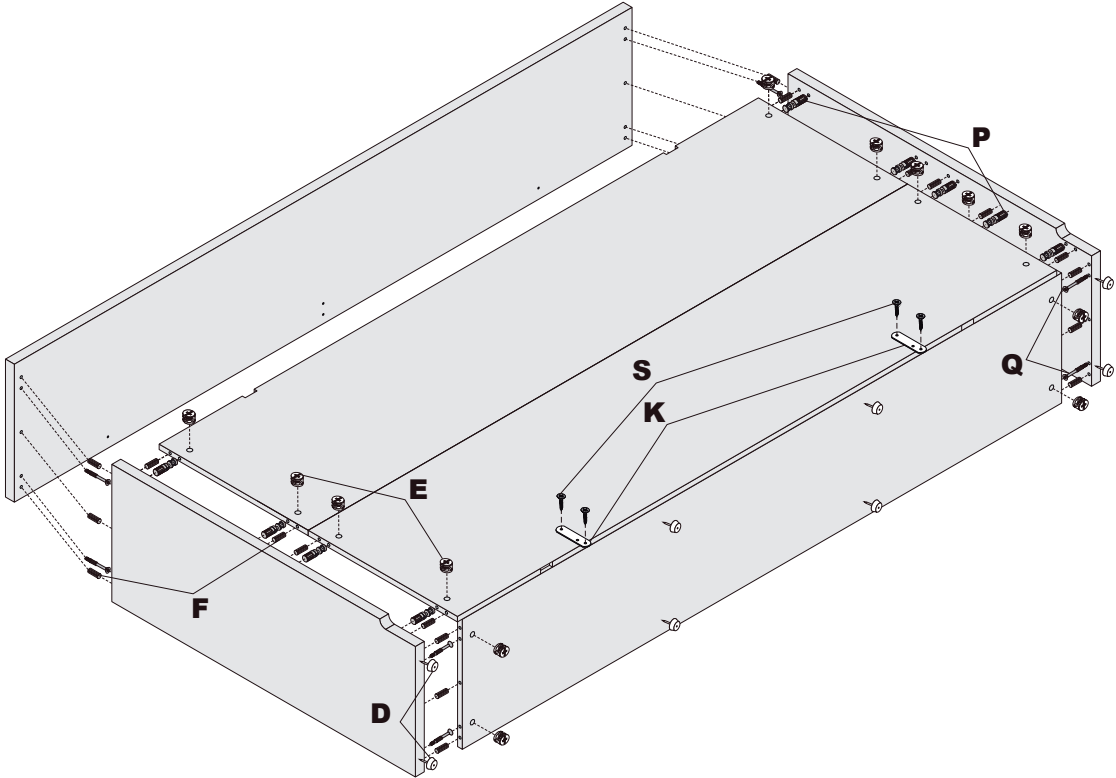
A		2
B		2
C		2
H		2
G		1
I		2
J		4
T		22
W		2
V		2
X		2
U		2
O		2
Y		2
Z		2

BANAK

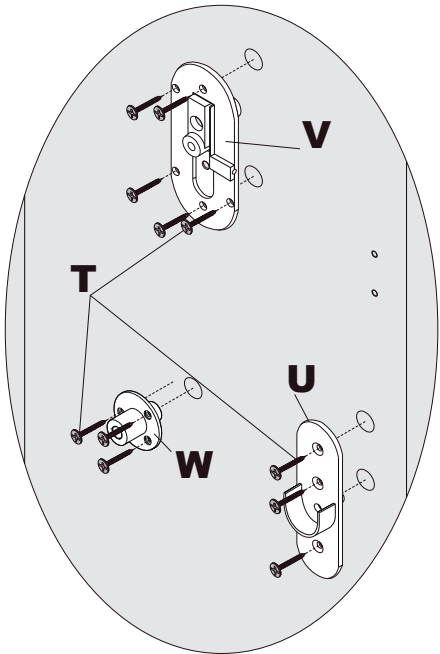
HANSEL

XJ-0400

1



2

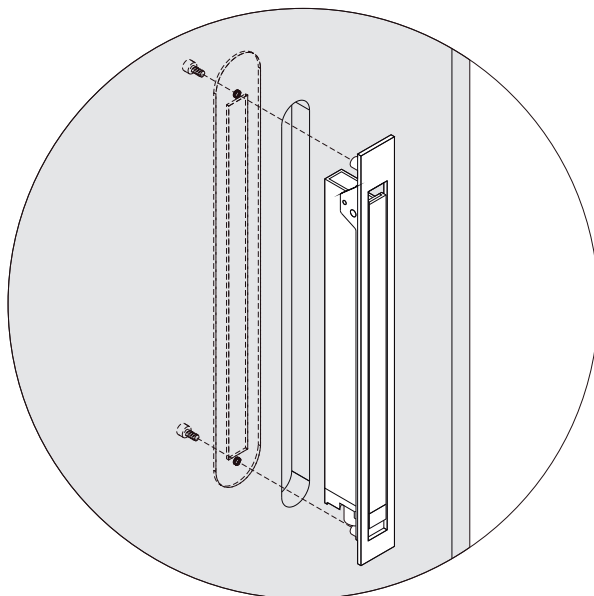


BANAK

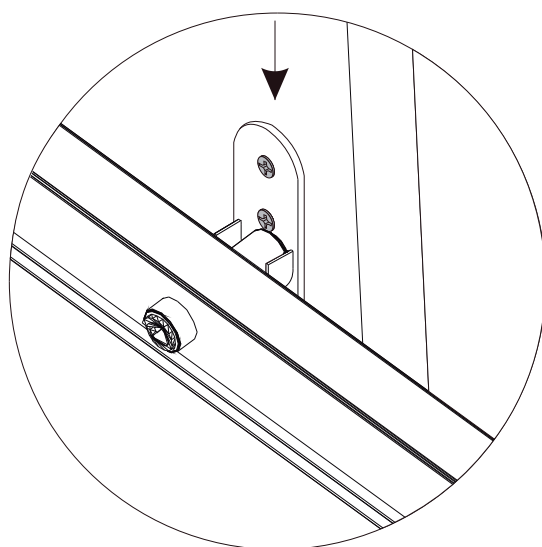
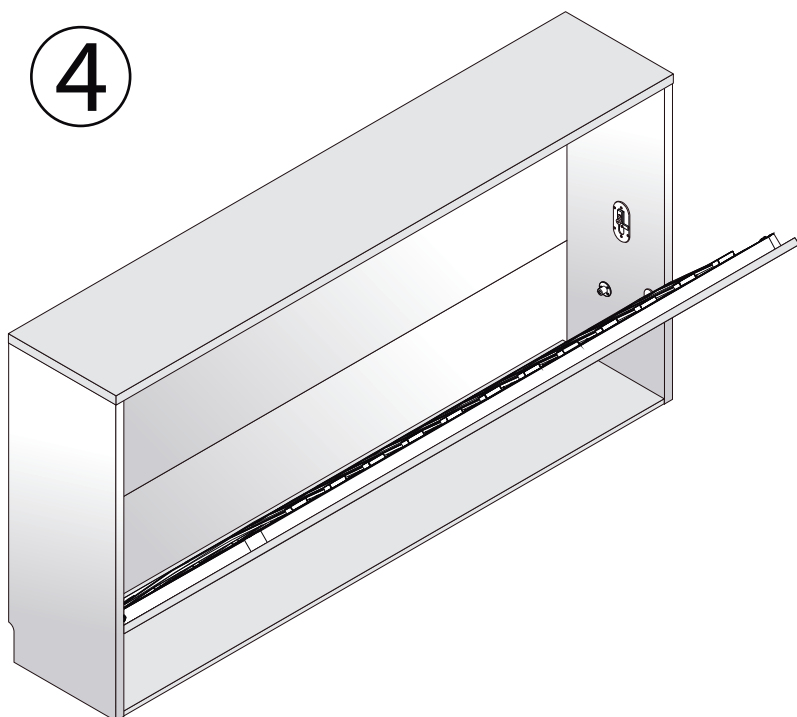
HANSEL

XJ-0400

3



4



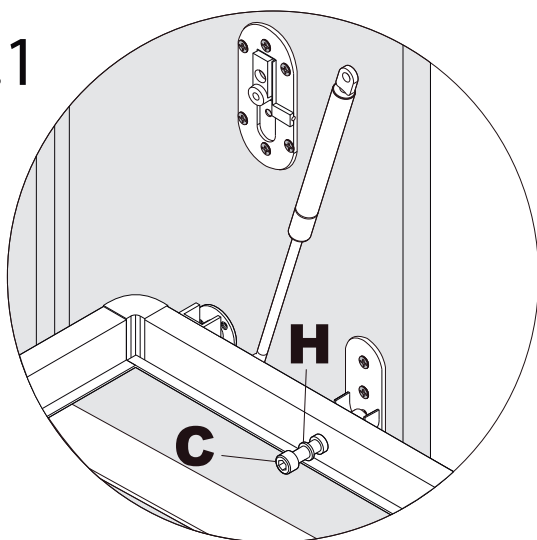
BANAK

HANSEL

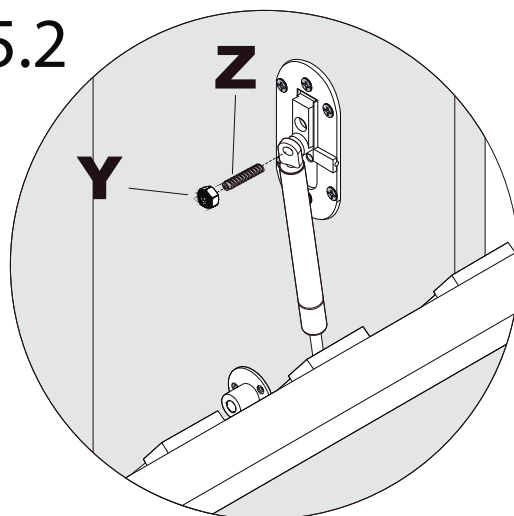
XJ-0400

5

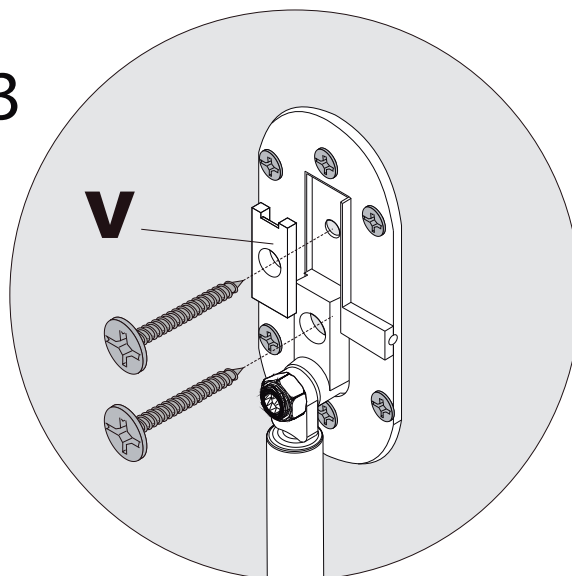
5.1



5.2



5.3

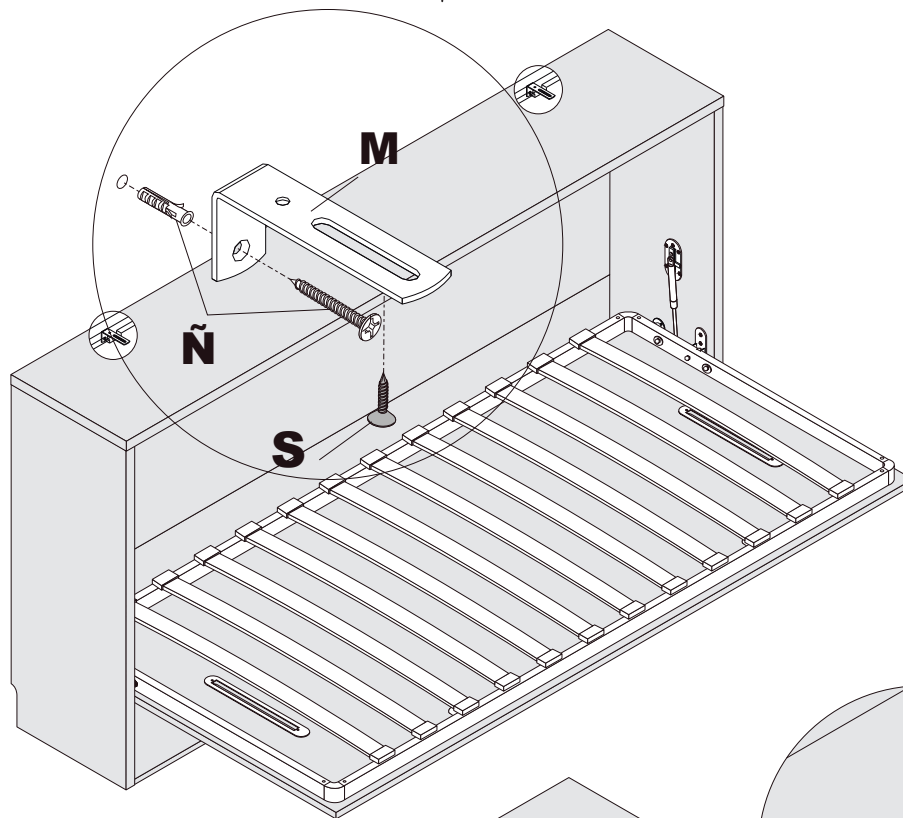


BANAK

HANSEL

XJ-0400

6



7

