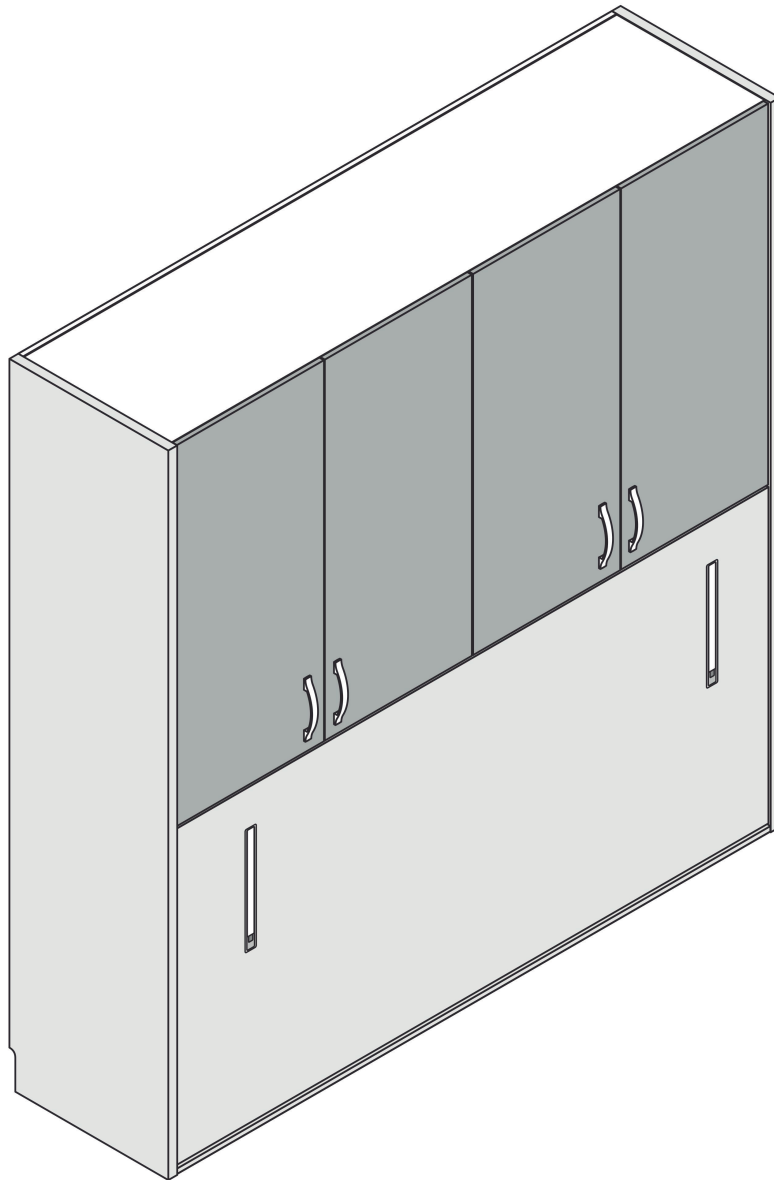


BANAK

HANSEL


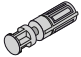

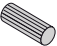



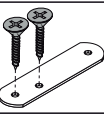


XJ-0405








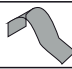



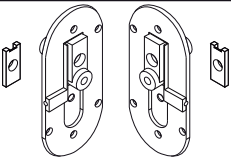


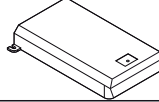


BANAK

HANSEL



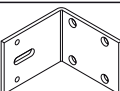

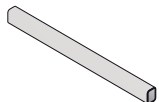

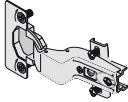
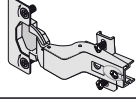

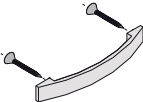
XJ-0405

E		26
P		14
Q		12
F		30
D		8
H		18
G		4
K		2
R		1
S		8

pág. 3-6

A		2
B		2
C		2
H		2
G		1
I		2
J		4
T		22
W		2
V		2
X		1
U		2
O		2
Y		2
Z		2

pág. 3-6

S		6
Ñ		4
M		2
T		8
R		1
P		2
C		4
D		4
E		8
O		4

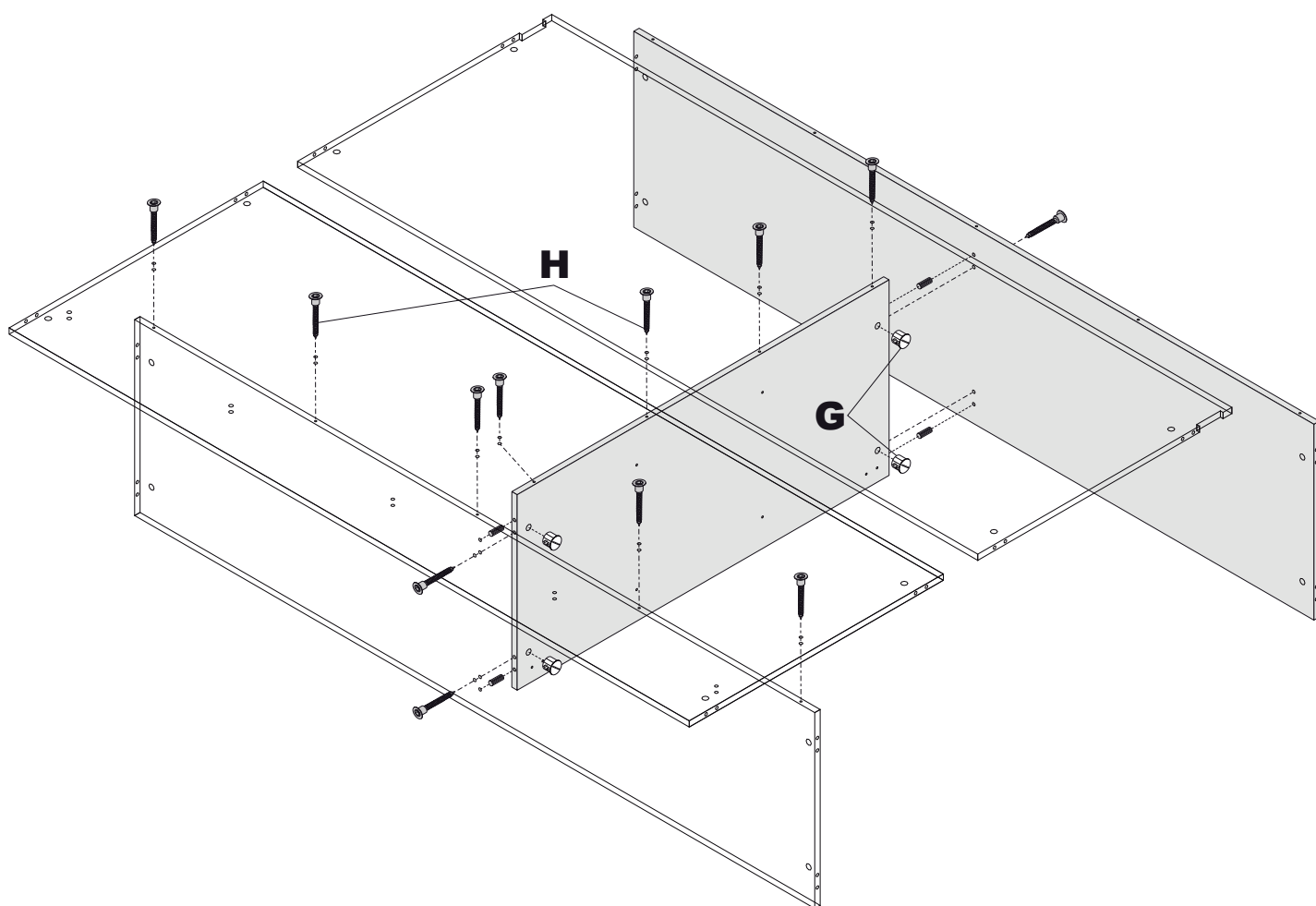
pág. 7-9

BANAK

HANSEL

XJ-0405

1

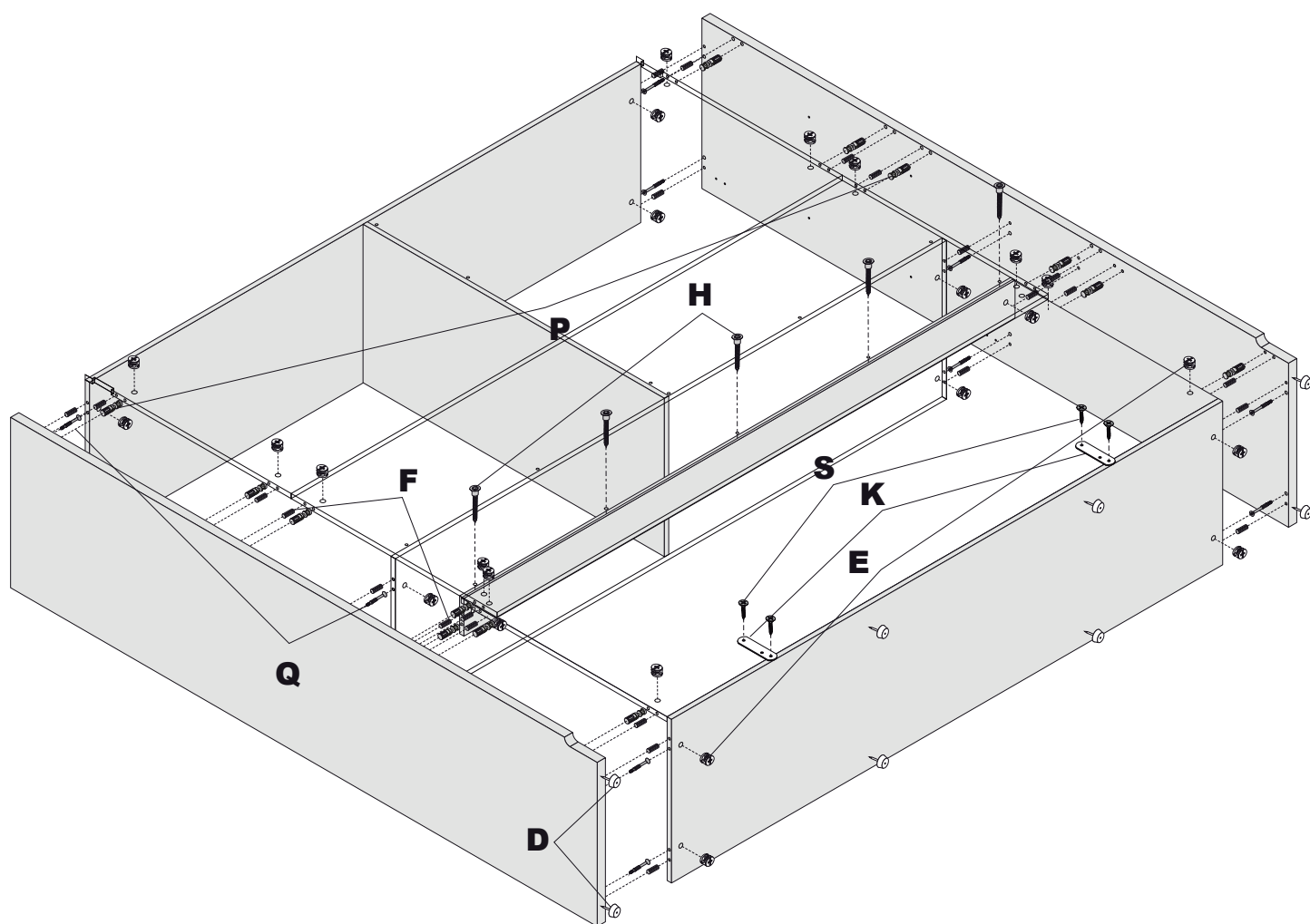


BANAK

HANSEL

XJ-0405

2

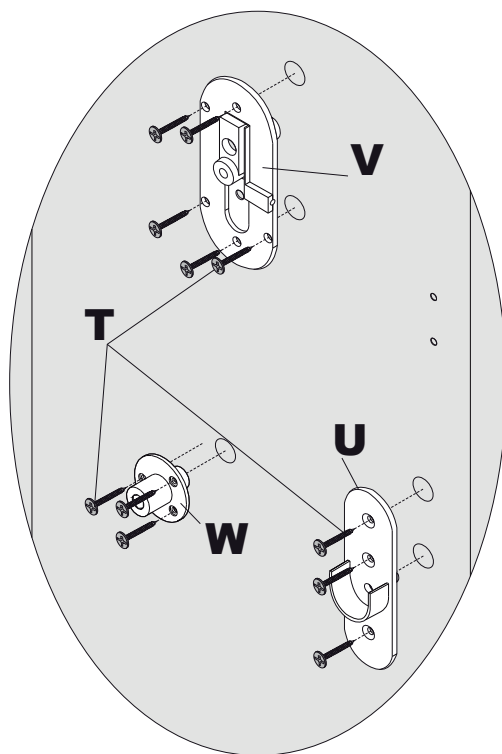


BANAK

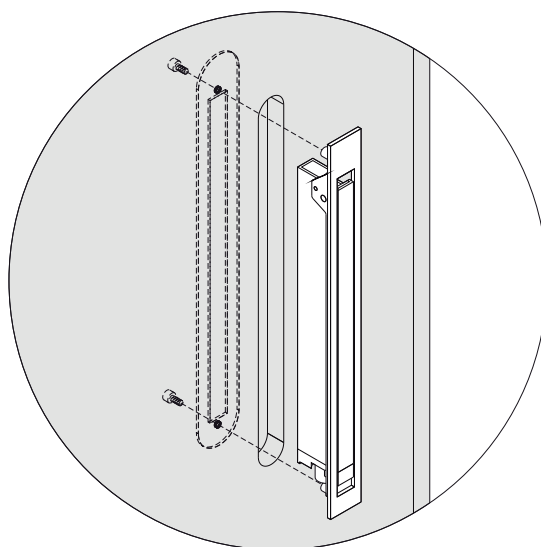
HANSEL

XJ-0405

3



4

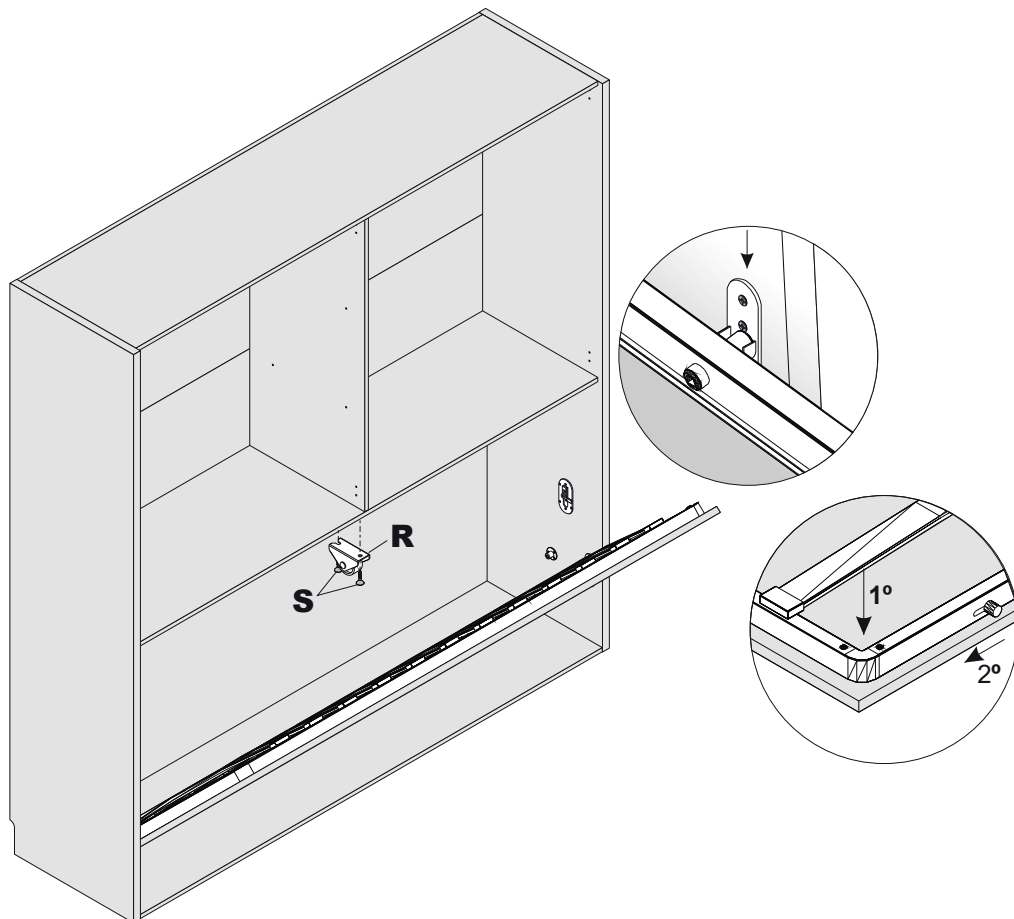


BANAK

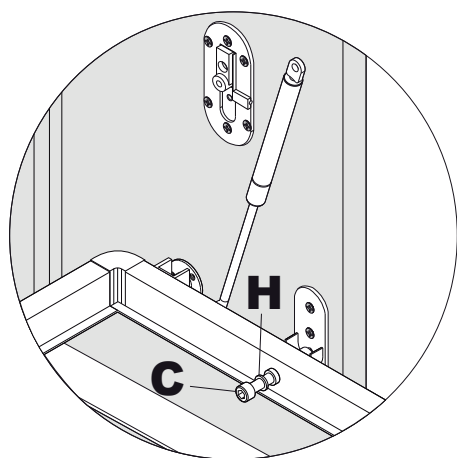
HANSEL

XJ-0405

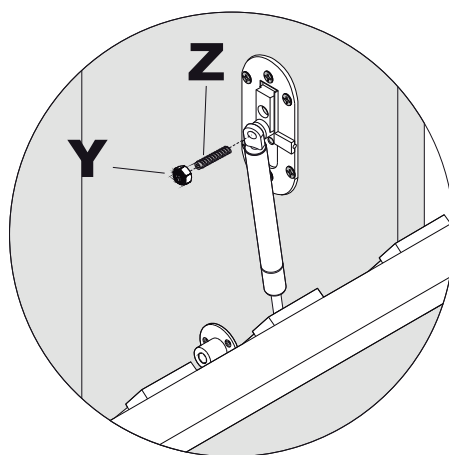
5



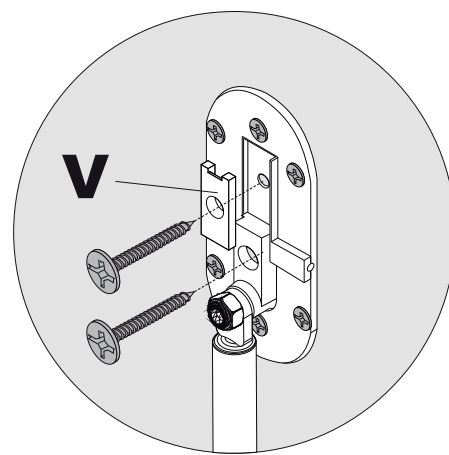
6



6.1



6.2



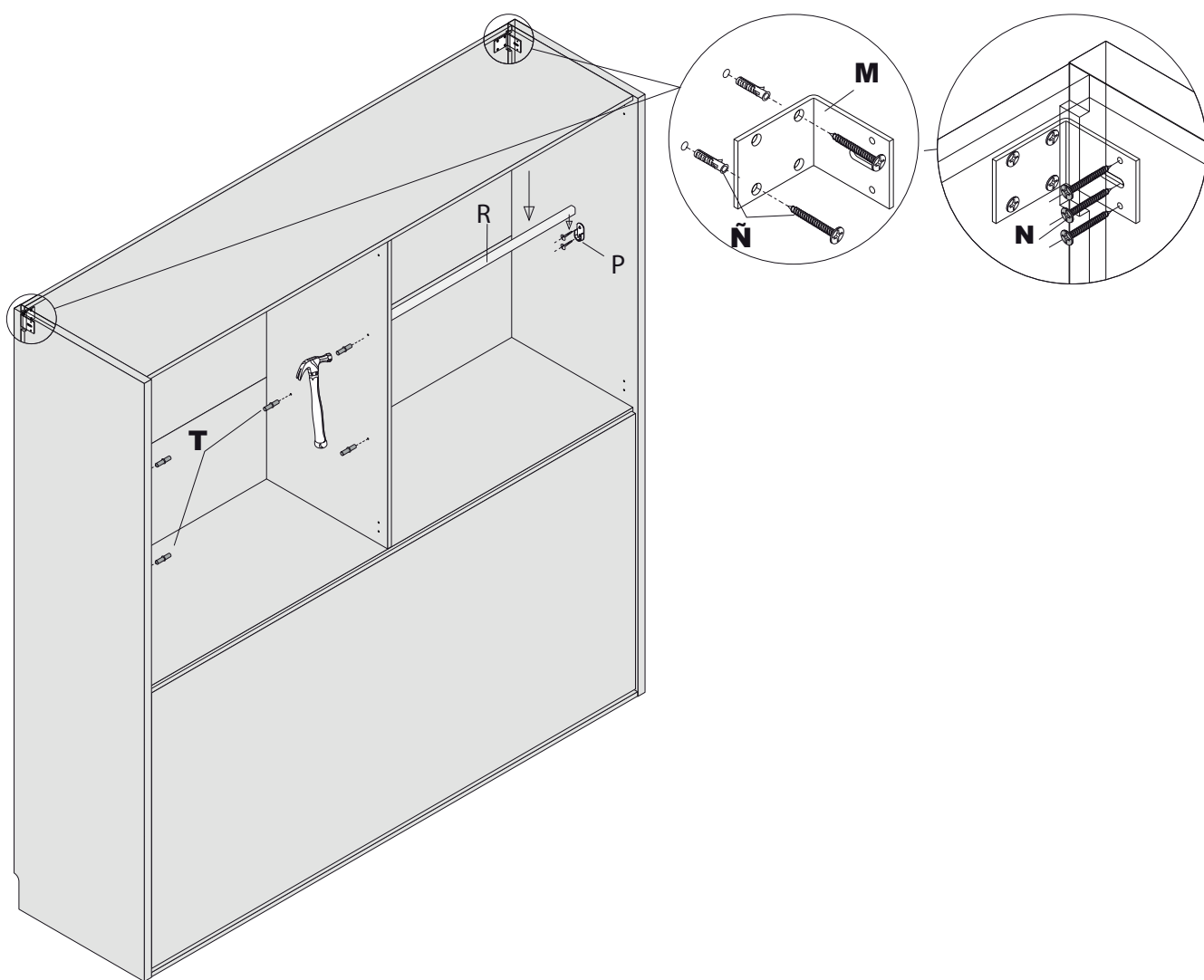
6.3

BANAK

HANSEL

XJ-0405

7

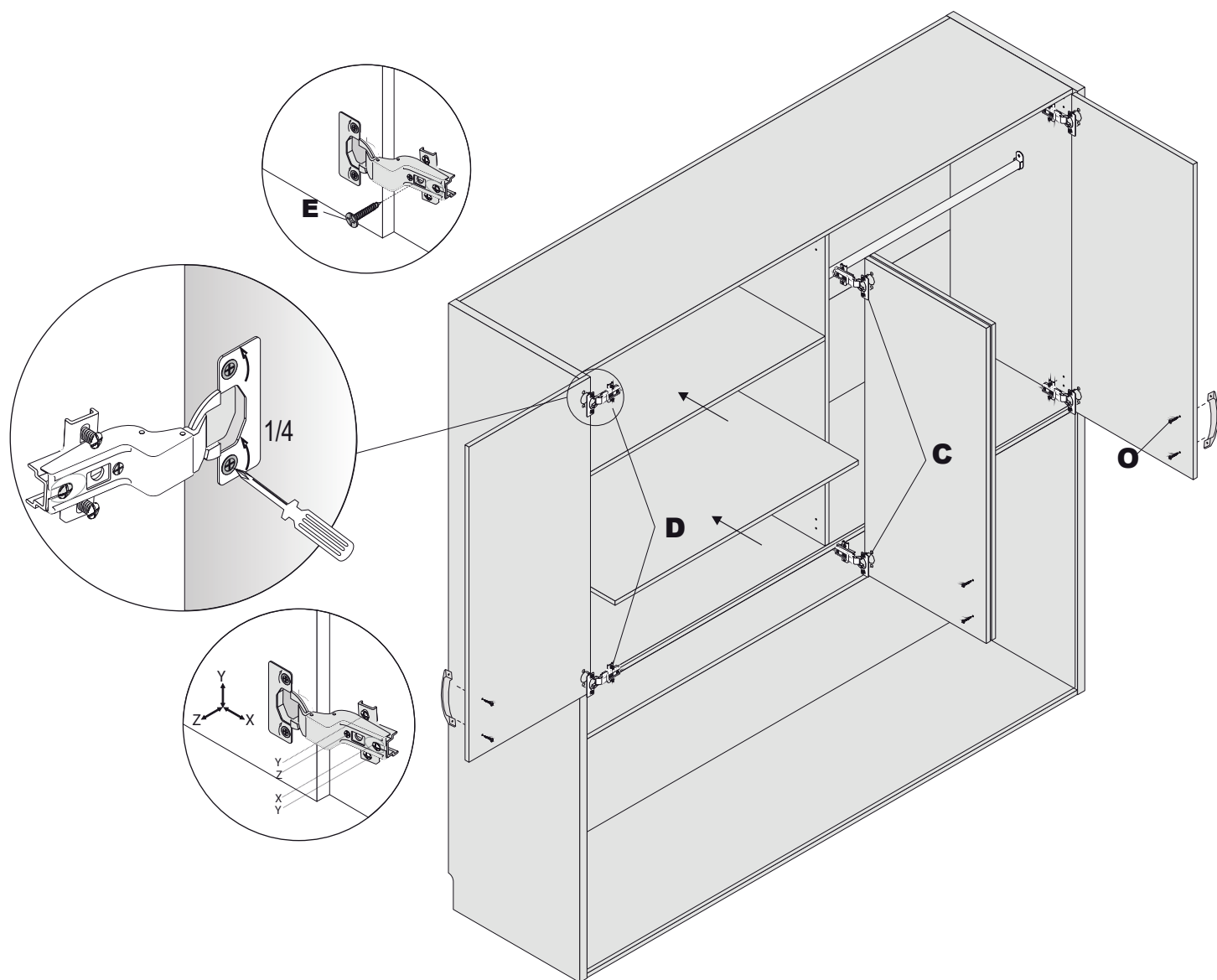


BANAK

HANSEL

XJ-0405

8



BANAK

HANSEL

XJ-0405

9

