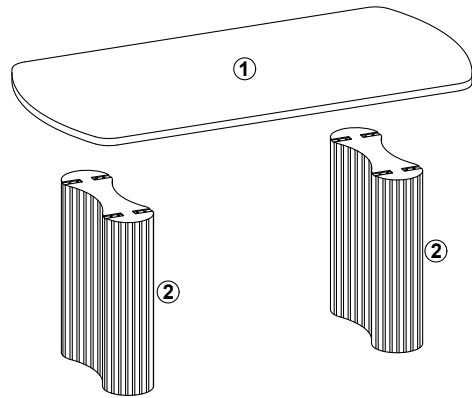
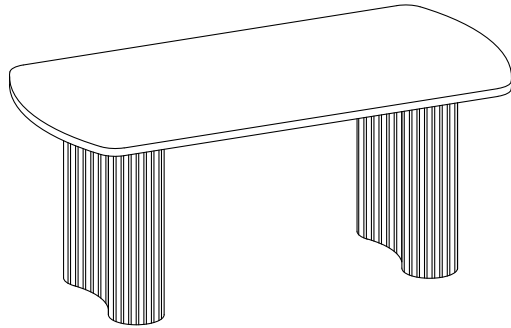
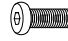





BANAK

LOPE

XS-0054



NO.	HARDWARE	QTY	NO.	HARDWARE	QTY
A		32	C		1
B		16	D		8

1/2

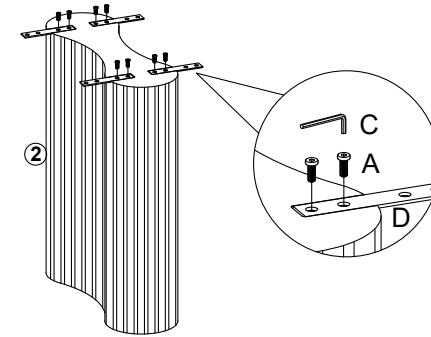
BANAK

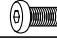


LOPE

XS-0054

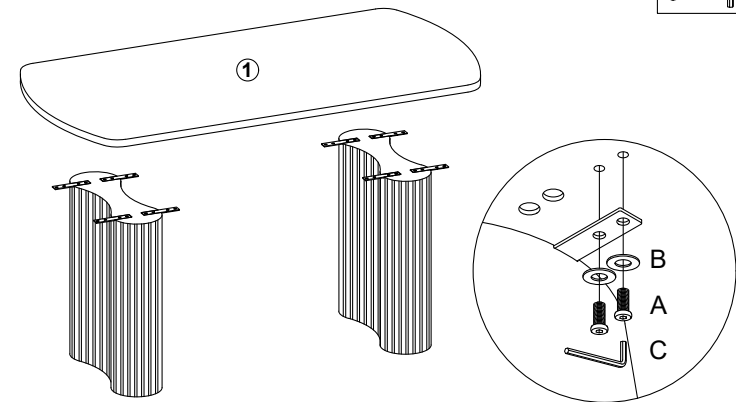
1

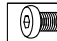
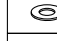

X2



	AX16
	DX8
	CX1

2



	AX16
	BX16
	CX1

2/2